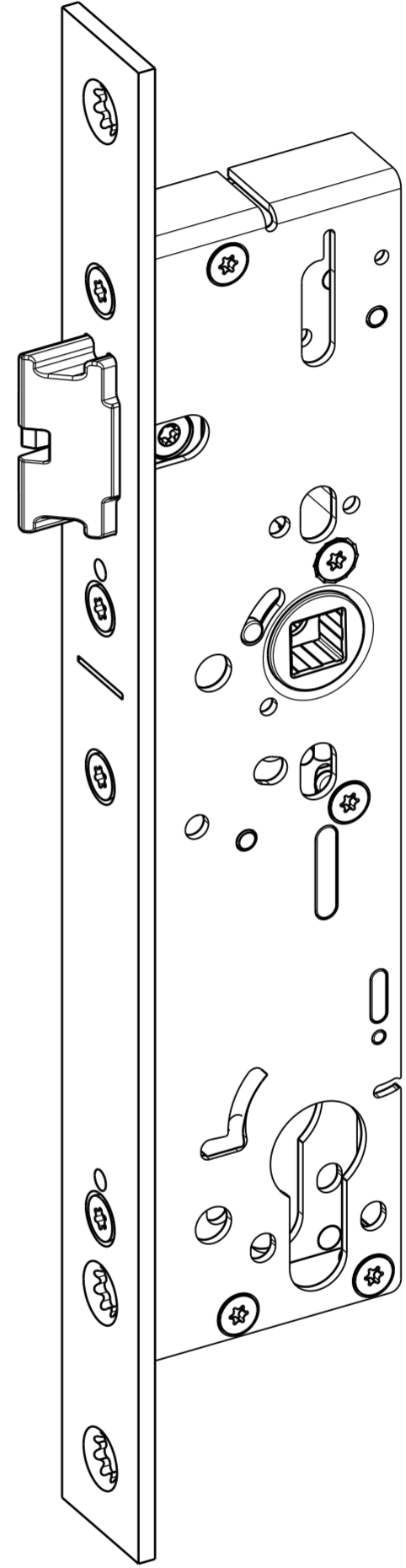
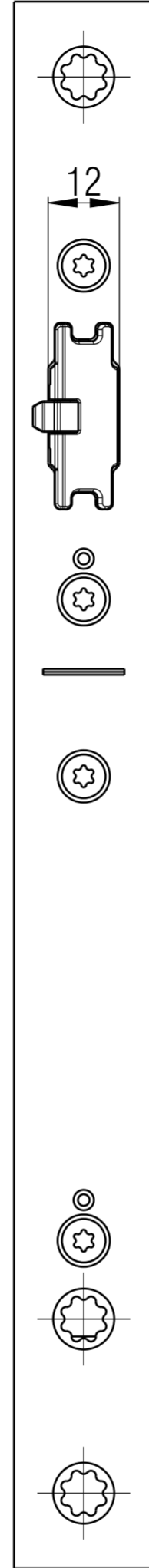
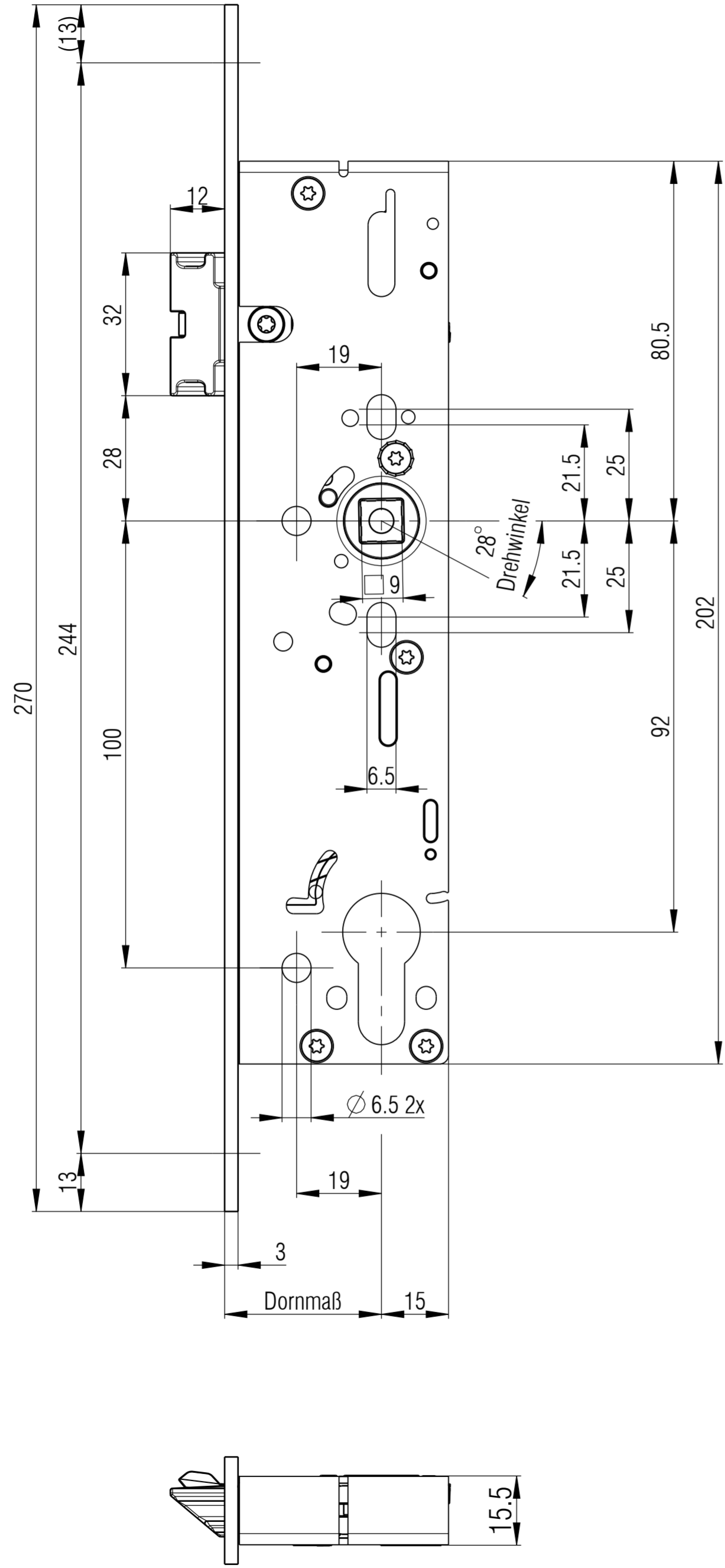


*** / Proprietary rights apply in accordance with ISO 16016.



B-1910X-00-X-X_D35_F24X3_EKG