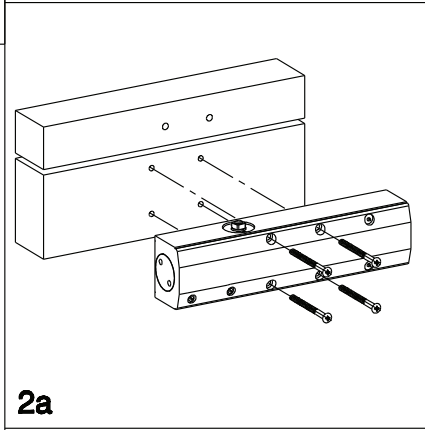
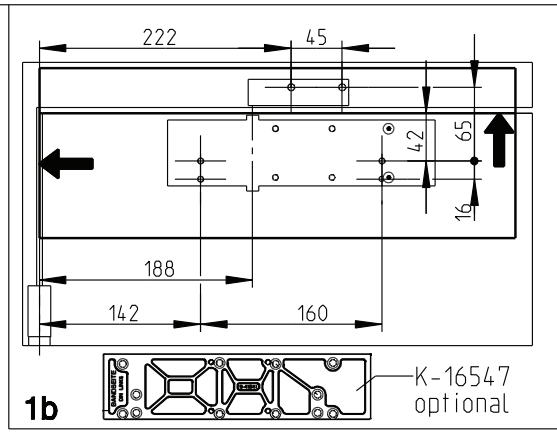
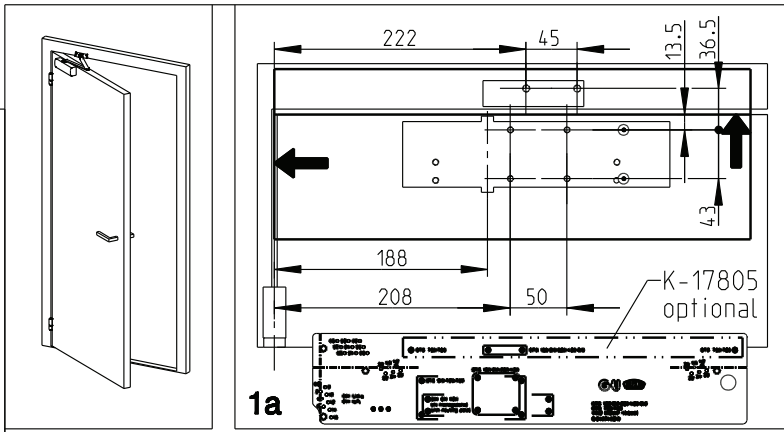


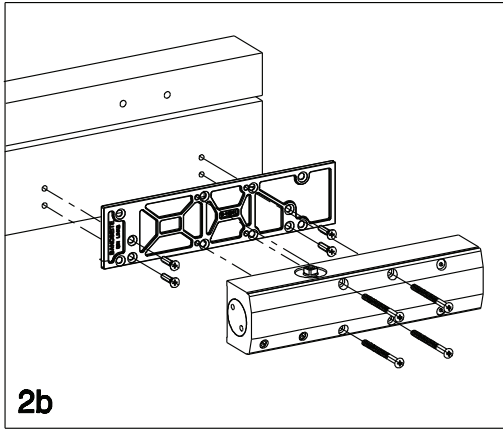
05	Gretsch-Unitas GmbH	04.32-CPD-0067	EN 1754:1996	A12002	4	8	5	1	1	4
	Baubeschriftung	0-46884-PO-0-0								
	Informations-Straße	0-46884-PO-0-0								
	B-71234 Ditzingen									
CE	Substance: -----									

Declarations of Performance can be found at the GU-Homepage  
["www.g-u.com/en/services/construction-products-regulation.html"](http://www.g-u.com/en/services/construction-products-regulation.html).  
 You will find the product information 0-46884-PO-0-0  
["OTS/UTS/VTS-Door\\_Closer"](http://OTS/UTS/VTS-Door_Closer) at the GU-Homepage  
[www.g-u.com](http://www.g-u.com) under "SERVICES" in the menu item "Downloads".  
 Proprietary rights apply in accordance with ISO 16016.

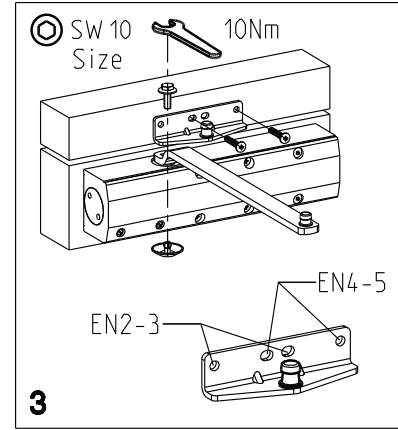
Leistungserklärungen finden Sie auf der GU-Homepage  
["www.g-u.com/de/service/bauproduktenverordnung.html"](http://www.g-u.com/de/service/bauproduktenverordnung.html).  
 Die Produktinformation Türschließer OTS/UTS/VTS (Art.-Nr. 0-46884-PO-0-0)  
 finden Sie auf der GU-Homepage ["www.g-u.com/de/service/downloads.html"](http://www.g-u.com/de/service/downloads.html).  
 Proprietary rights apply in accordance with ISO 16016.



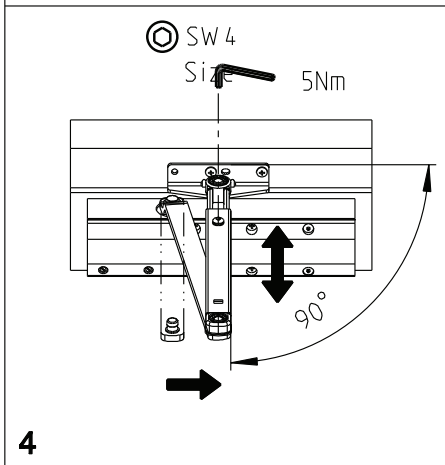
2a



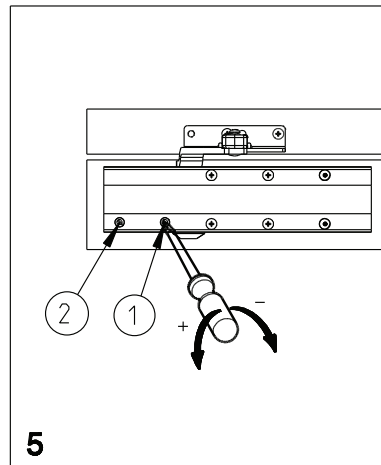
2b



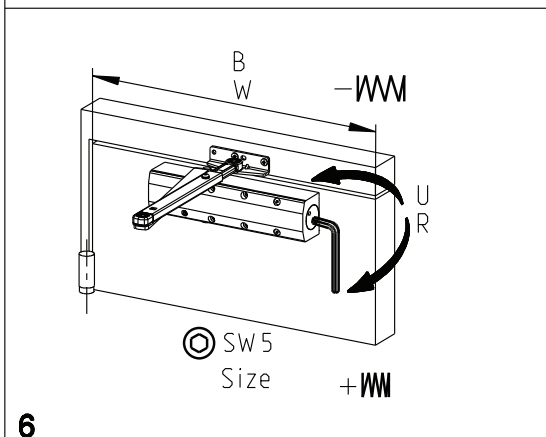
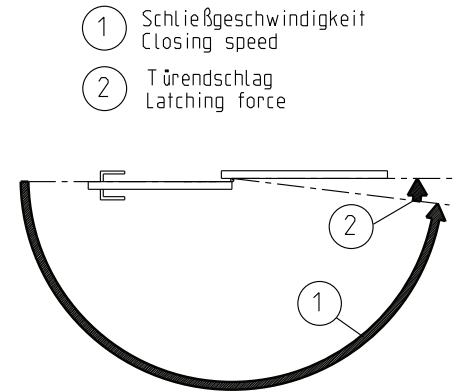
3



4

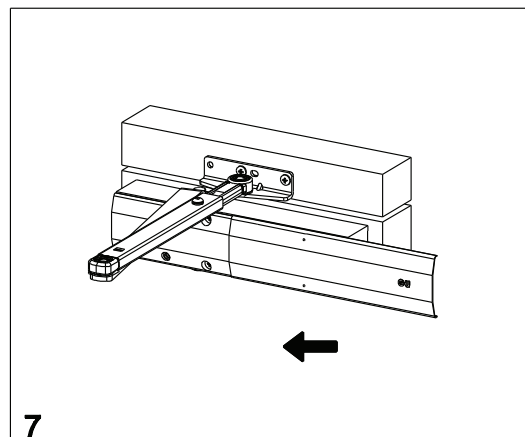


5



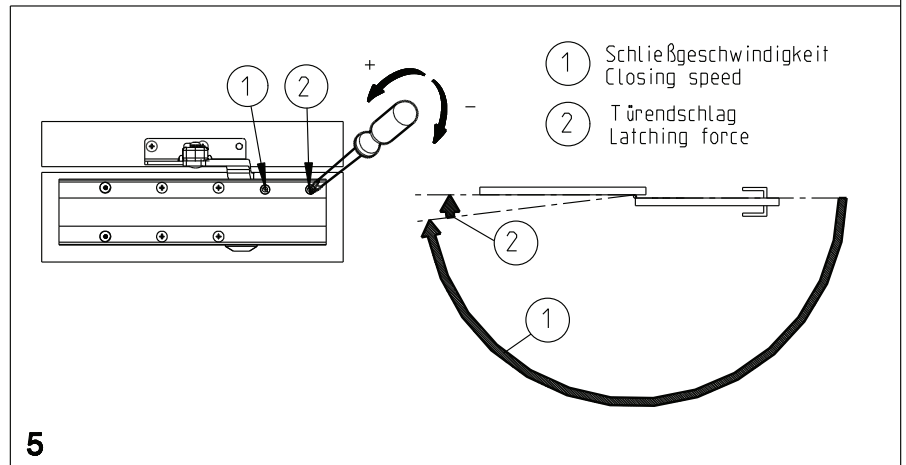
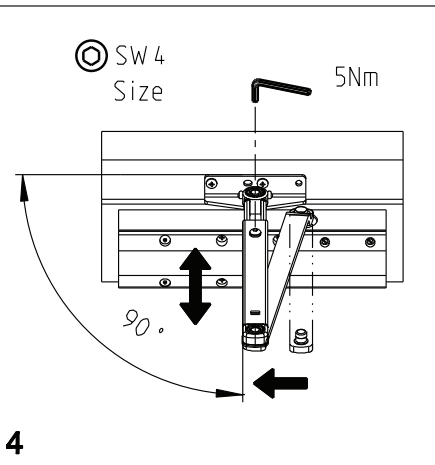
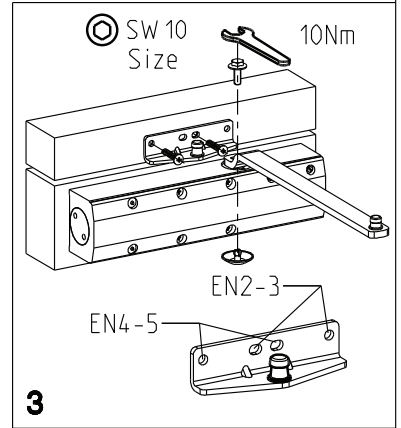
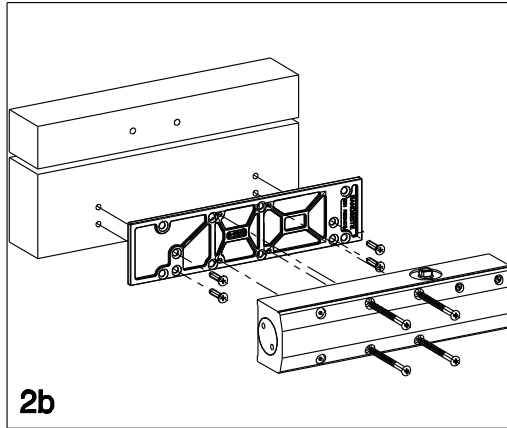
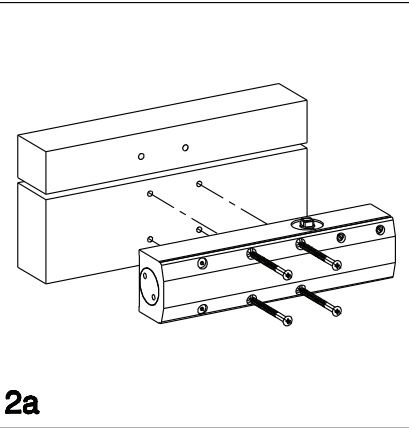
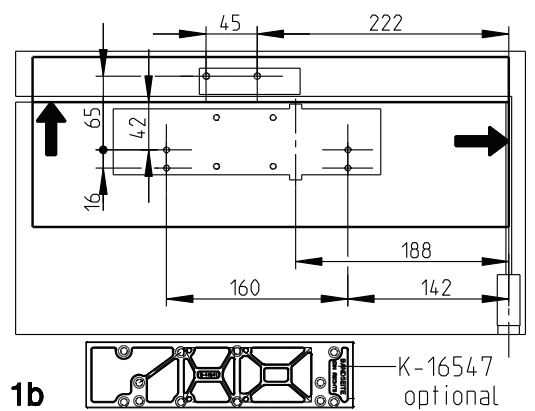
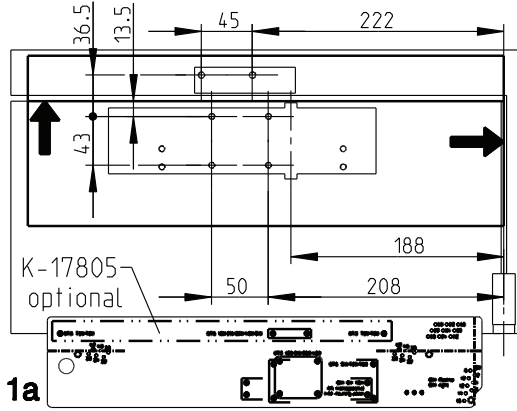
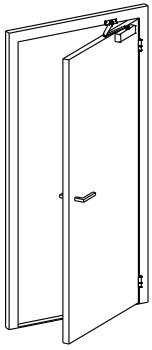
6

Schließkraft closing force		
EN	≤ B W	U R
2	850mm	0
3	950mm	+ 6
4	1100mm	+ 6
5	1250mm	+16

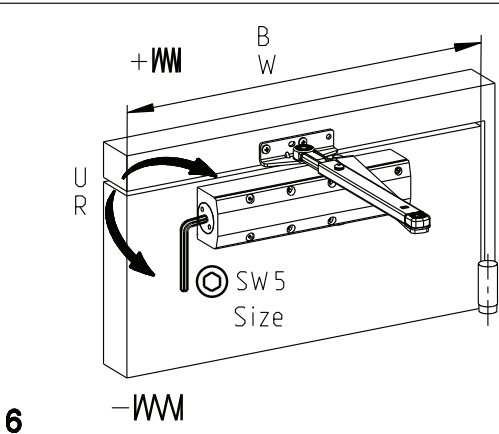


7

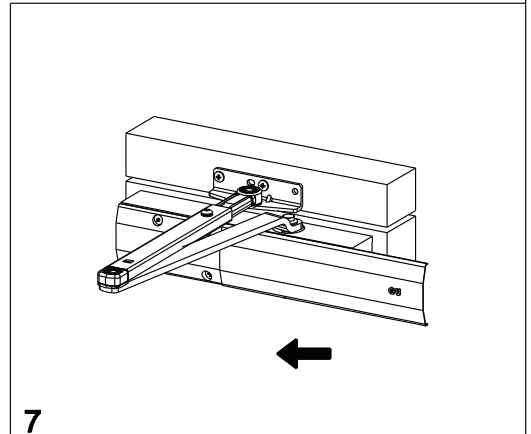
Description								
OTS 430 Normalmontage Bandseite, DIN links K-17051/ K-17983								
OTS 430 standard mounting on hinge side, DIN left K-17051/K-17983								
	Release No.	Level	Released		Scale	Modification		
	Mod. No.	Ver.	-	W i			%	7
	G32381	Draft	18.05.2016	Ur				
Replacement for M-00097, M-00112					Drawing No.			
					0-45360-PF-0-0			
						Size		
						4		
						Sheet		
						1/4		



EN
ES
FR
--
--



Schließkraft closing force		
EN	≤ B / W	UR
2	850mm	0
3	950mm	+ 6
4	1100mm	+ 6
5	1250mm	+16



Description

**OTS 430 Normalmontage Bandseite, DIN rechts K-17051/ K-17983**

**OTS 430 standard mounting on hinge side, DIN right K-17051/K-17983**



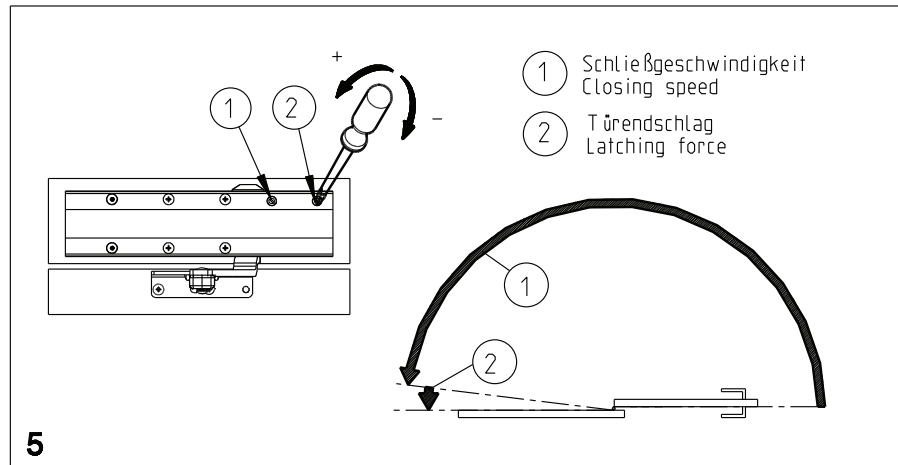
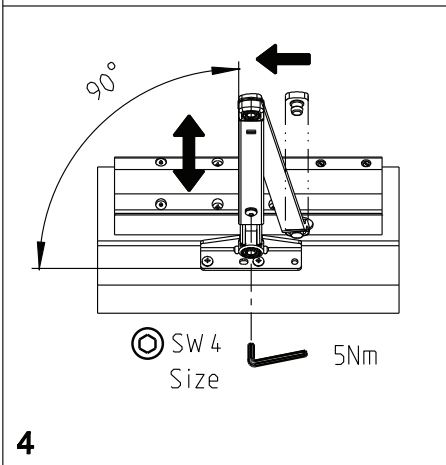
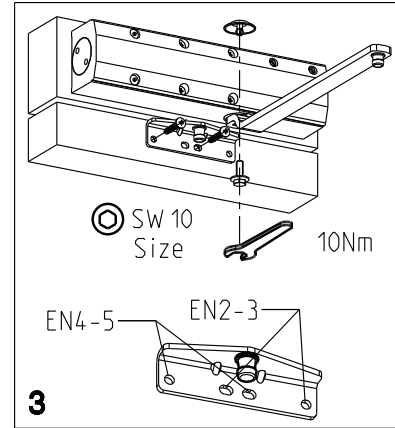
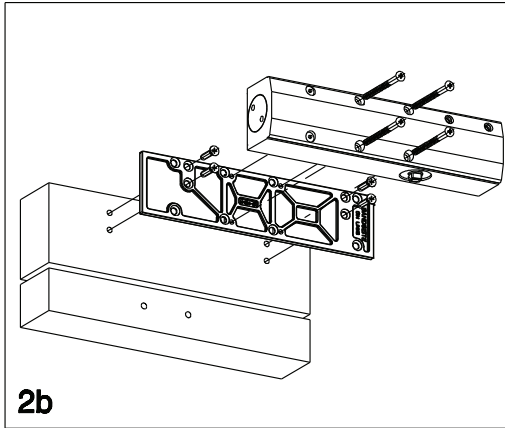
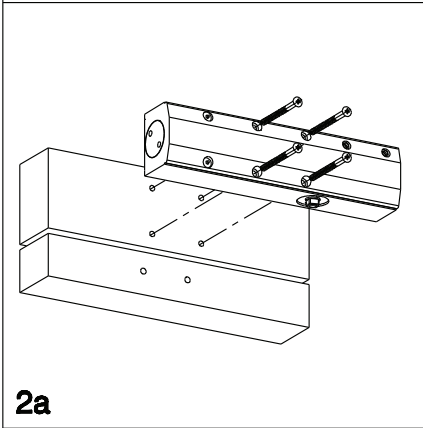
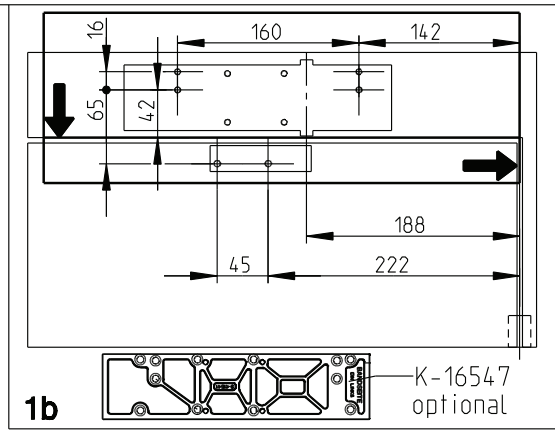
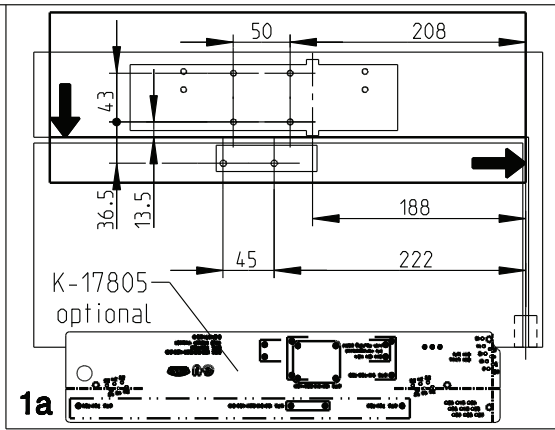
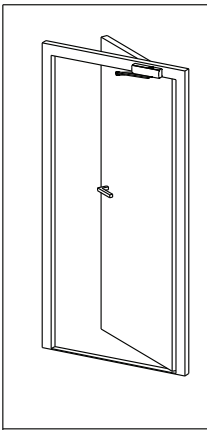
Release No.  
--  
Mod. No.  
G32381

Level	Released	Scale	Modification	Size
Ver.	-	Wi	7	4
Draft	18.05.2016	Ur	Drawing No.	Sheet

Replacement for M-00097, M-00112

**0-45360-PF-0-0**

Sheet  
2/4

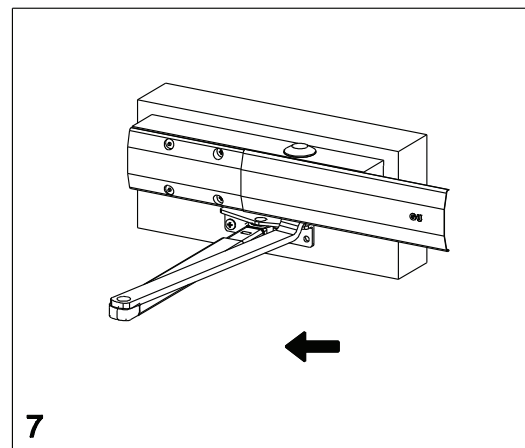


EN
ES
FR
--
--

**6**

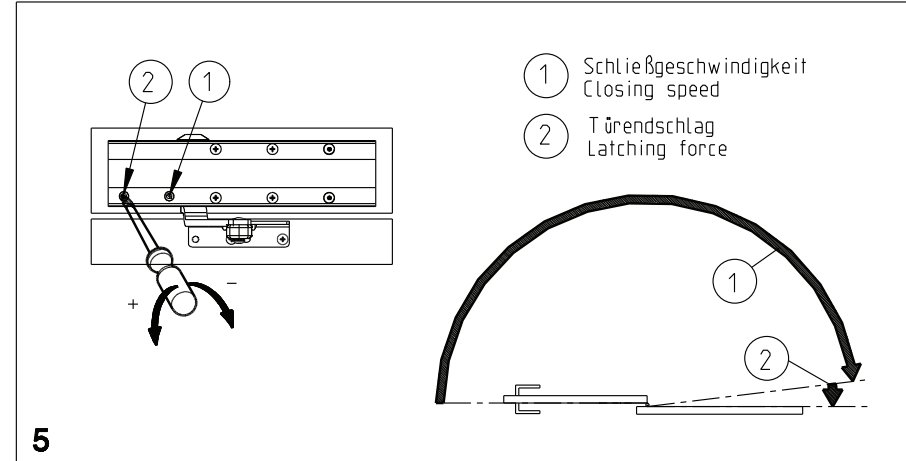
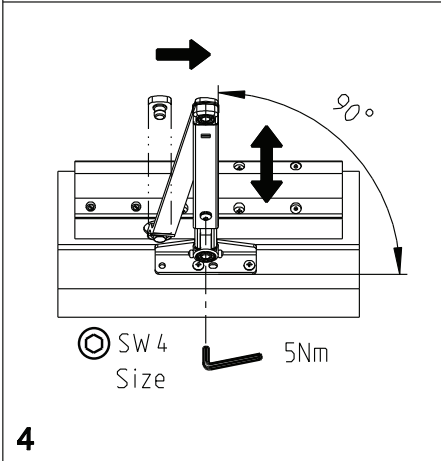
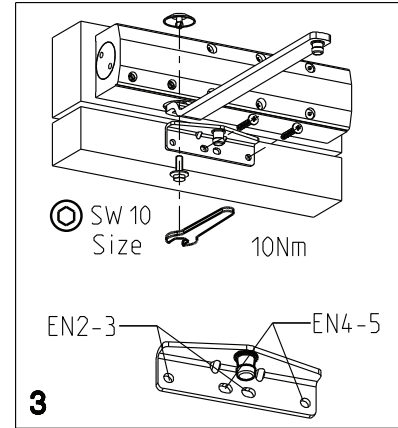
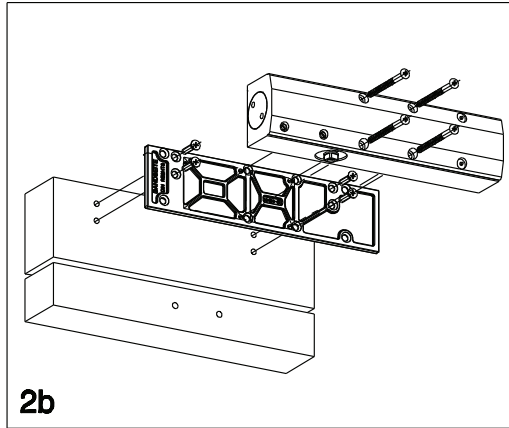
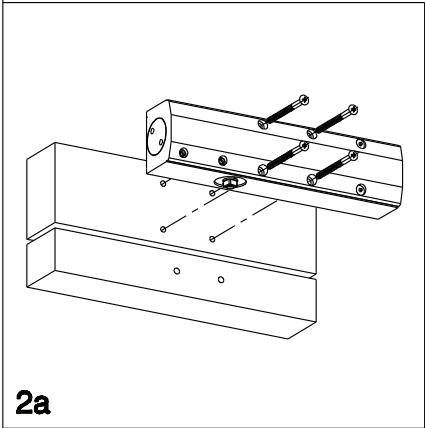
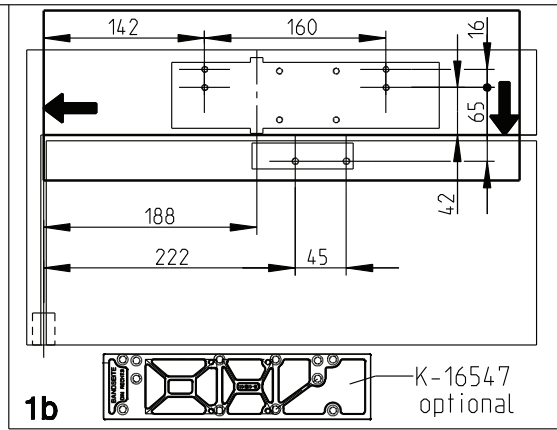
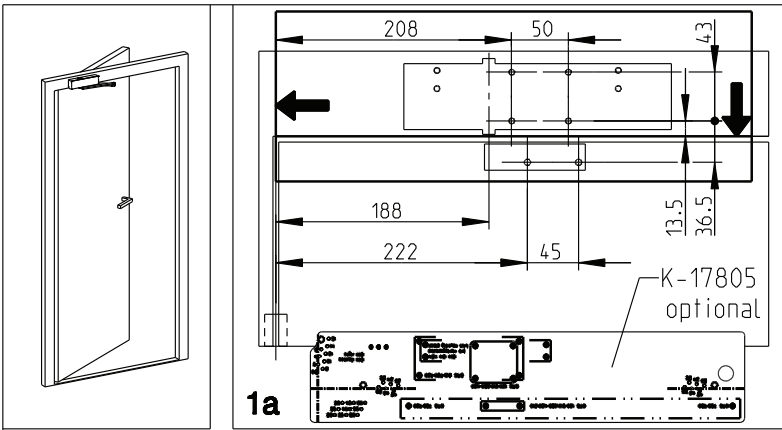
⊙ SW 5 Size

Schließkraft closing force		
EN	≤ B / W	UR
2	850mm	0
3	950mm	+ 6
4	1100mm	+ 6
5	1250mm	+16

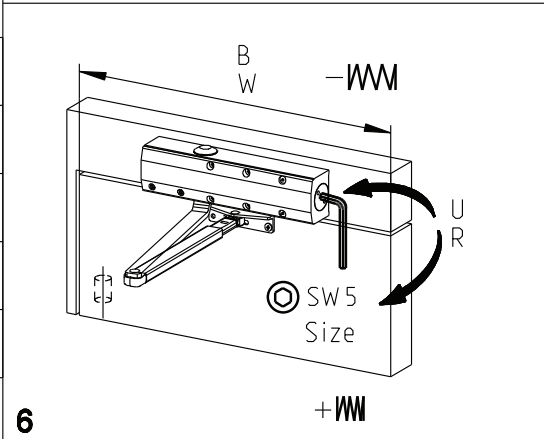


Description  
**OTS 430 Kopfmontage Bandgegenseite, DIN links K-17051/ K-17983**  
**OTS 430 transom mounting on side opposite to hinges, DIN left K-17051/K-17983**

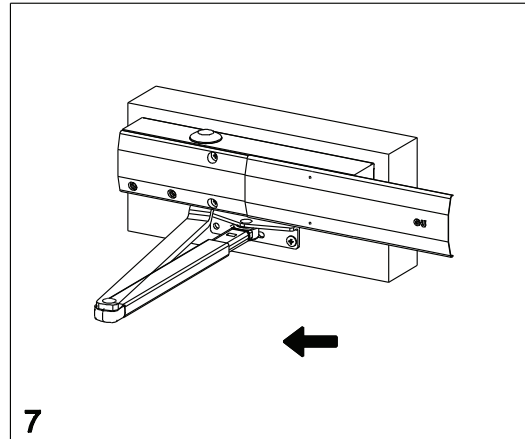
	Release No. --	Level	Released		Scale %	Modification 7	Size 4
	Mod. No. G32381	Ver.	-	Wi			
		Draft	18.05.2016	Ur			
Replacement for M-00097, M-00112						Drawing No. <b>0-45360-PF-0-0</b>	Sheet 3/4



- EN
- ES
- FR
- 
- 



Schließkraft closing force		
EN	≤ B W	U R
2	850mm	0
3	950mm	+ 6
4	1100mm	+ 6
5	1250mm	+16



Description  
**OTS 430 Kopfmontage Bandgegenseite, DIN rechts K-17051/ K-17983**  
**OTS 430 transom mounting on side opposite to hinges, DIN right K-17051/K-17983**

	Release No. --	Level	Released		Scale %	Modification 7	Size 4
	Mod. No. G32381	Ver.	-	W i			
		Draft	18.05.2016	Ur			
Replacement for M-00097, M-00112						Drawing No. <b>0-45360-PF-0-0</b>	Sheet 4 / 4